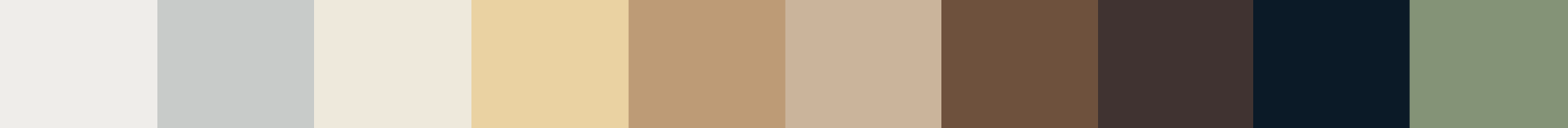


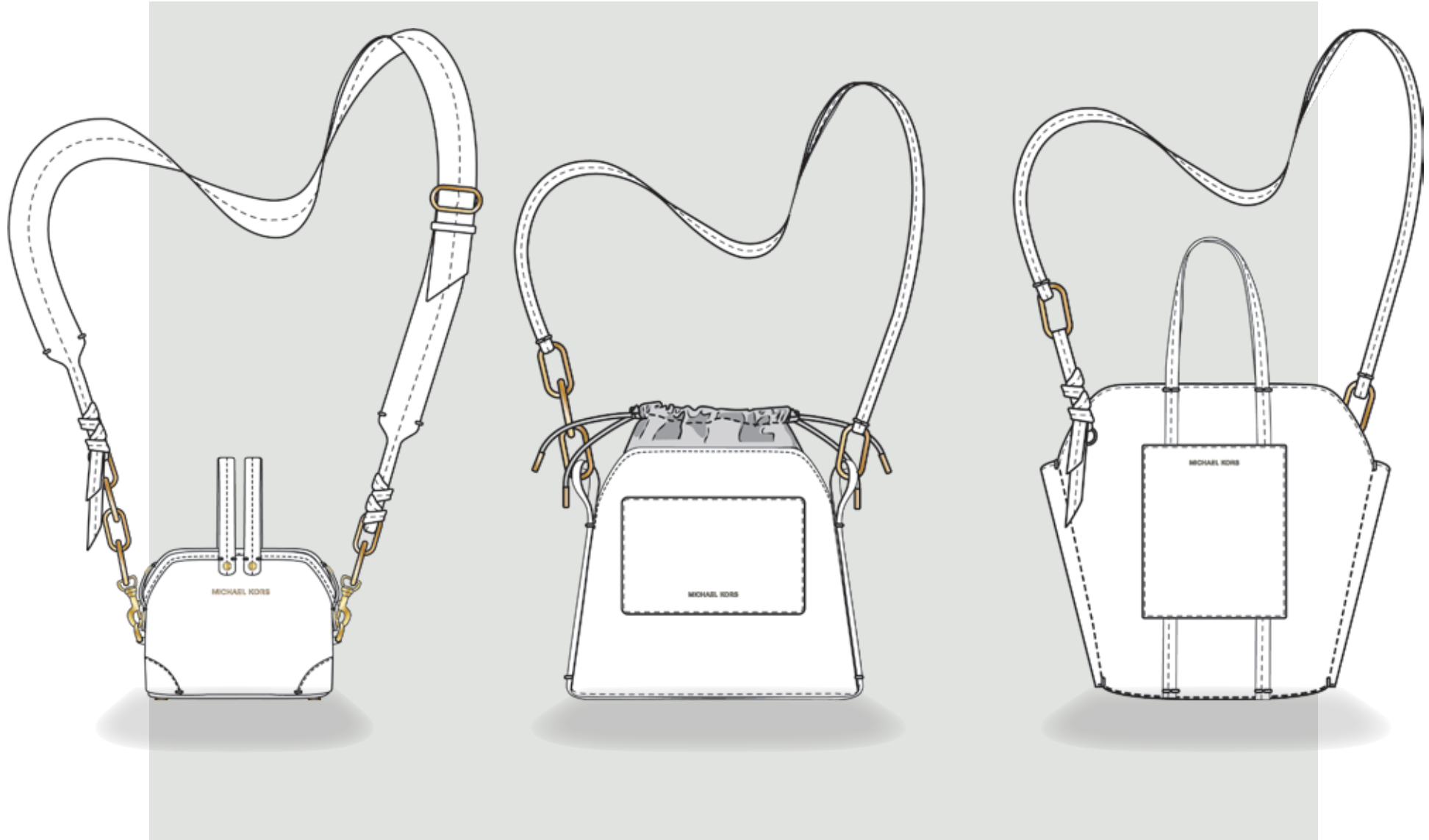
# MICHAEL KORS



S/S 2022



# MICHAEL KORS



S/S 2022



# MICHAEL KORS



PROCESS WORK

# MICHAEL KORS



ENAMEL  
HARWARE

NATURAL JUTE

ACRYLIC TORTIOSE

ACETATE  
CHAINS

OPTIC WHITE

DIGITAL MIST

UNBLEACHED

VANILLA CAKE

PARCHMENT

VACHETTA

TOBACCO

DARK OAK

MIDNIGHT

JADE

KEY TRENDS: MONOCHROMATIC/ SOFT VOLUME/ CHUNKY HARDWARE

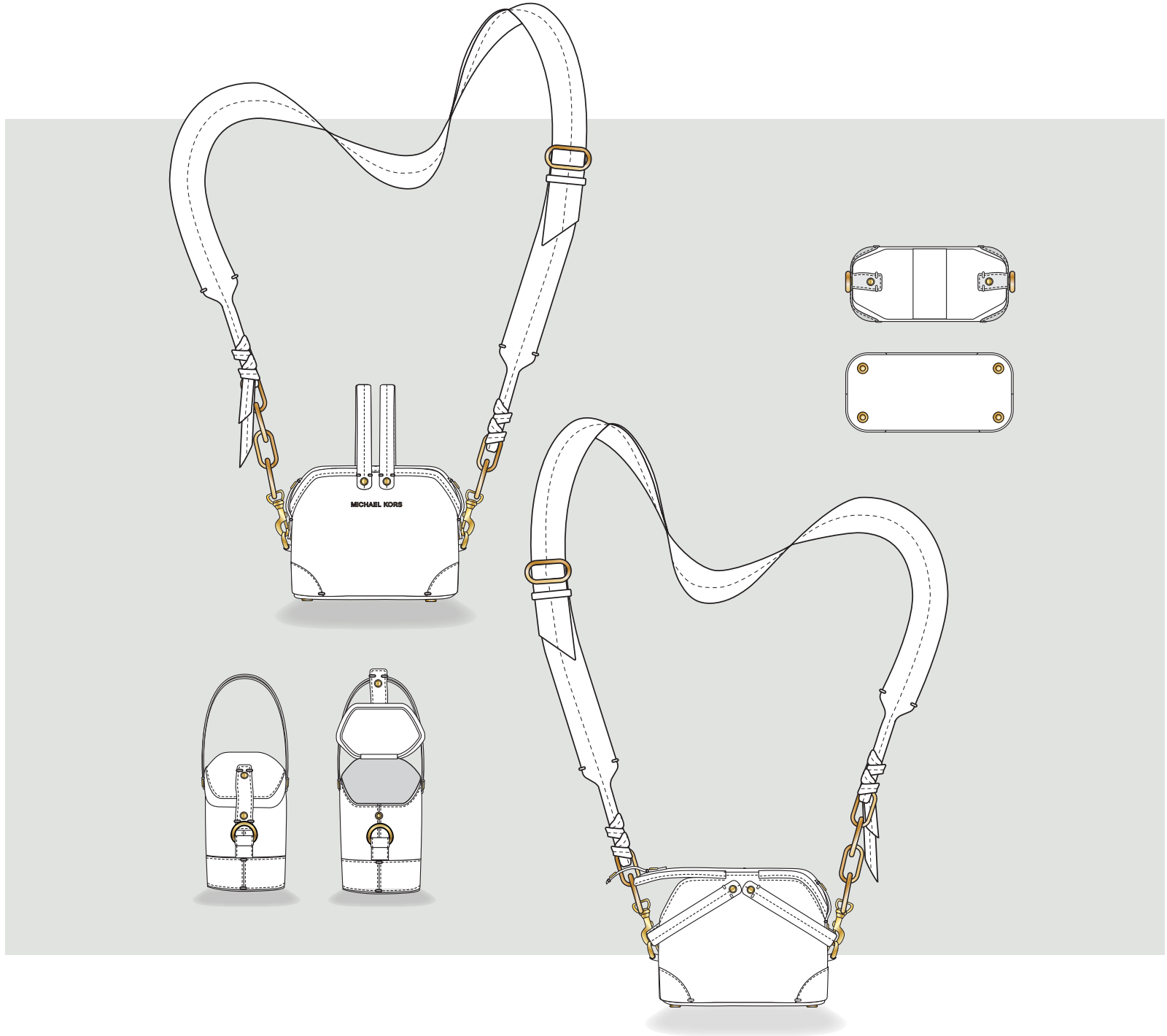
MATERIALS/ TRENDS

# MICHAEL KORS



S/S 2022

# MINI PICNIC CROSSBODY



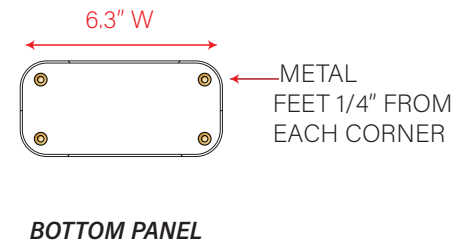
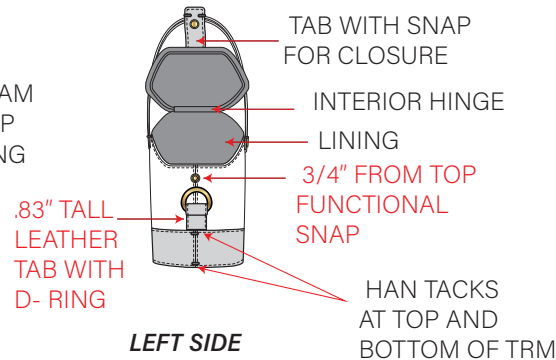
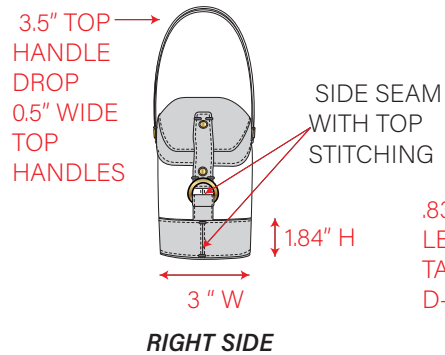
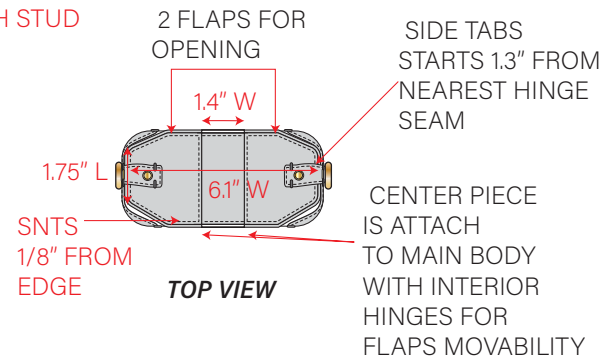
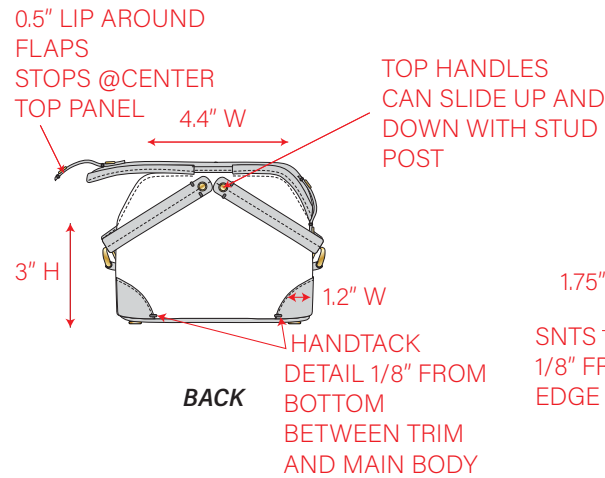
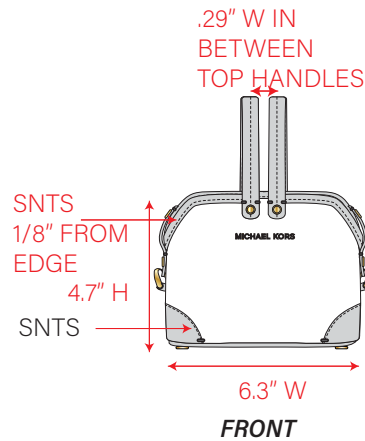


# MINI PICNIC CROSSBODY

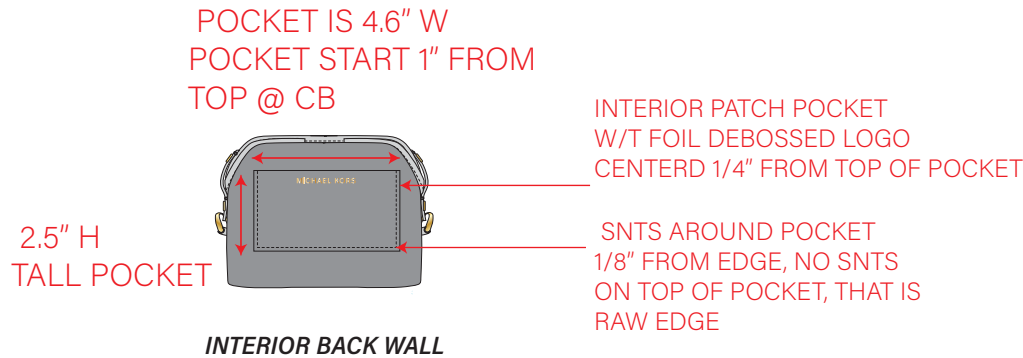
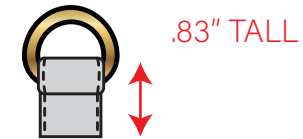
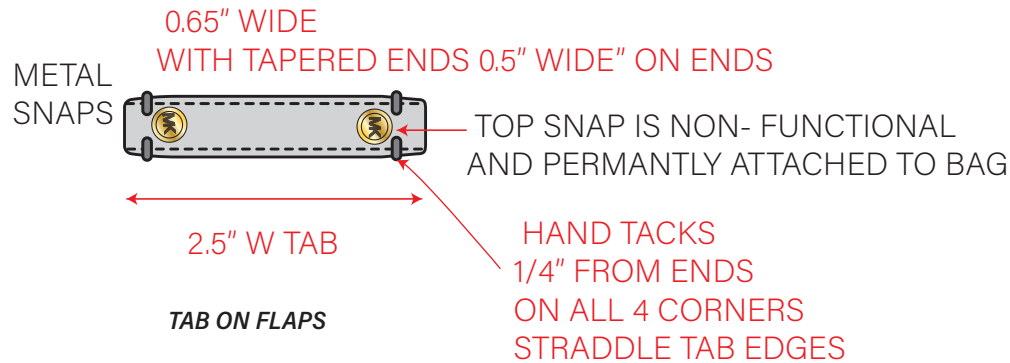
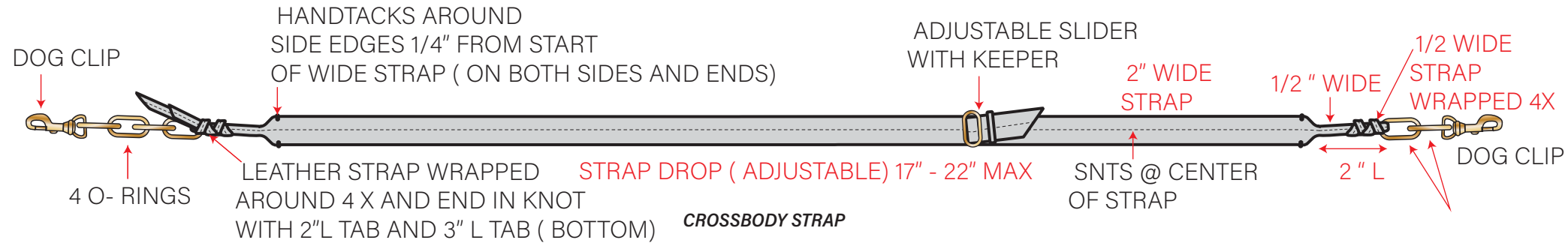
**HARDWARE**

**O-RING** QANTITY: 6  
**STUD POST** QANTITY: 4  
**METAL SNAP** QANTITY: 4  
**MICHAEL KORS** LOGO PLATE QANTITY: 1  
**D-RING** QANTITY: 2  
**DOG CLIP** QANTITY: 2  
**METAL FEET** QANTITY: 4

COLOR 1: MAIN BODY  
 COLOR 2: TRIMS/ STRAPS  
 COLOR 3: THREAD TACKS  
 COLOR 4: EDGE PAINT  
 COLOR 5: HARDWARE FINISH  
 COLOR 6: LINING



# MINI PICNIC CROSSBODY





# MINI PICNIC CROSSBODY



COLOR 1: MAINBODY  
QUALITY: VEG LEATHER: PARCHMENT

COLOR 2: TRIMS/ STRAPS  
VEG LEATHER: PARCHMENT

COLOR 3: TACK  
THREAD: DTM MAINBODY

COLOR 4: EDGE PAINT  
DTM MAINBODY

COLOR 5: HARDWARE FINISH  
ACRYLIC: TORTOISE

COLOR 6: LINING:  
KID SEUDE: DTM BODY

COLOR 1: MAINBODY  
QUALITY: VEG LEATHER: OPTIC  
WHITE

COLOR 2: TRIMS/ STRAPS  
VEG LEATHER: OPTIC  
WHITE

COLOR 3: TACK  
THREAD: VANILLA CAKE

COLOR 4: EDGE PAINT  
DTM MAINBODY

COLOR 5: HARDWARE FINISH  
ENAMEL: VANILLA CAKE

COLOR 6: LINING:  
KID SEUDE: DTM BODY

COLOR 1: MAINBODY  
QUALITY: VEG LEATHER:  
DIGITAL MIST

COLOR 2: TRIMS/ STRAPS  
VEG LEATHER: DIGITAL MIST  
(CROSS BODY  
STRAP ONLY PVC COATED COTTON  
CANVAS WITH PRINTED LOGO)

COLOR 3: TACK  
THREAD: OPTIC WHITE

COLOR 4: EDGE PAINT  
DTM MAINBODY

COLOR 5: HARDWARE FINISH  
METAL: SHINY PALE GOLD

COLOR 6: LINING:  
KID SEUDE: DIGITAL MIST

COLOR 1: MAINBODY  
QUALITY: VEG LEATHER: JADE

COLOR 2: TRIMS/ STRAPS  
VEG LEATHER: JADE

COLOR 3: TACK  
THREAD: JADE 20% TONALLY  
DARKER)

COLOR 4: EDGE PAINT  
JADE 20% TONALLY  
DARKER)

COLOR 5: HARDWARE FINISH  
ACRYLIC: JADE 20% TONALLY  
DARKER)

COLOR 6: LINING:  
KID SEUDE: DTM BODY

COLOR 1: MAINBODY  
QUALITY: JUTE: NATURAL WITH  
MIDNIGHT JACQUARD LOGO

COLOR 2: TRIMS/ STRAPS  
VEG LEATHER: MIDNIGHT

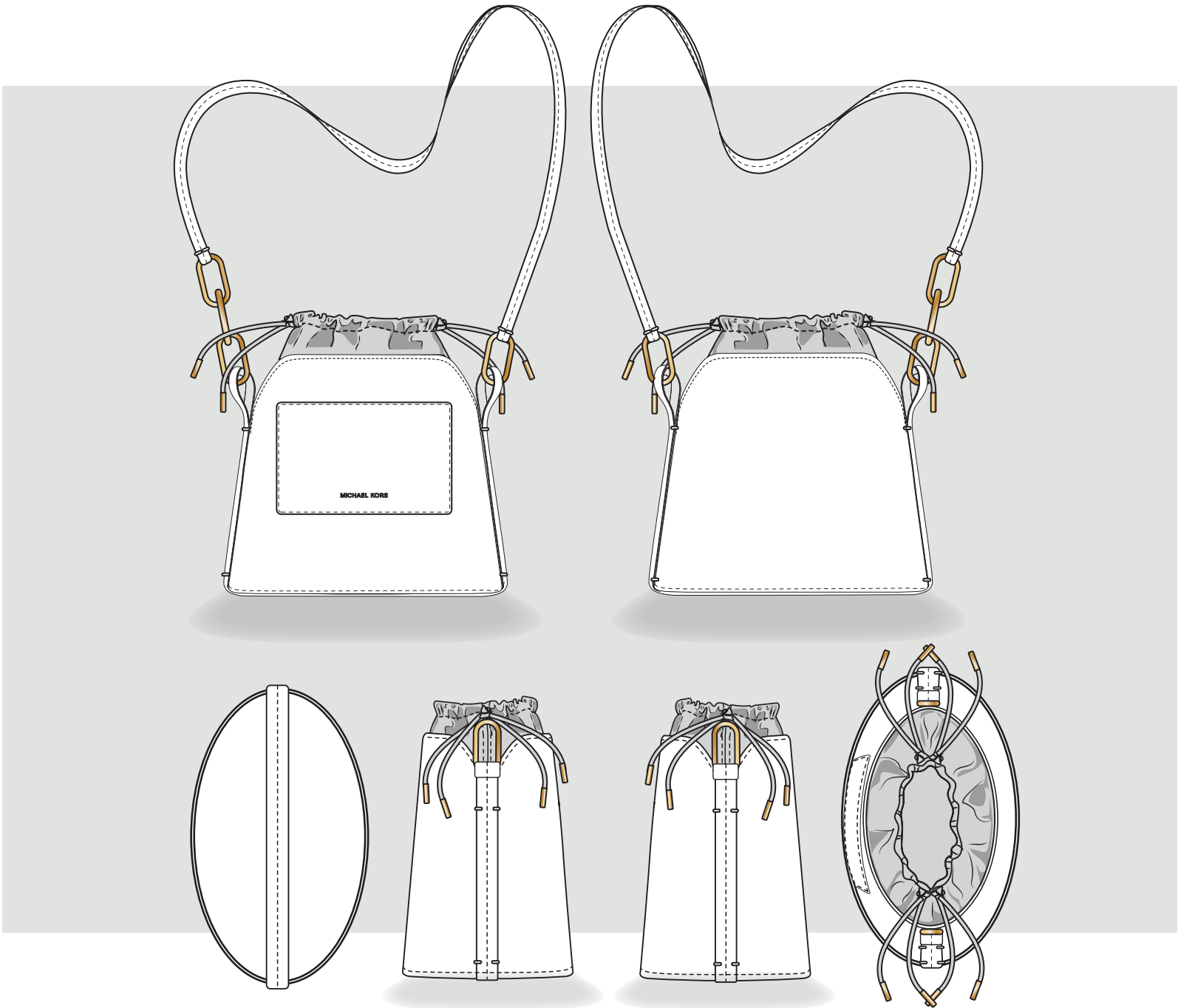
COLOR 3: TACK  
THREAD: MIDNIGHT

COLOR 4: EDGE PAINT  
MIDNIGHT

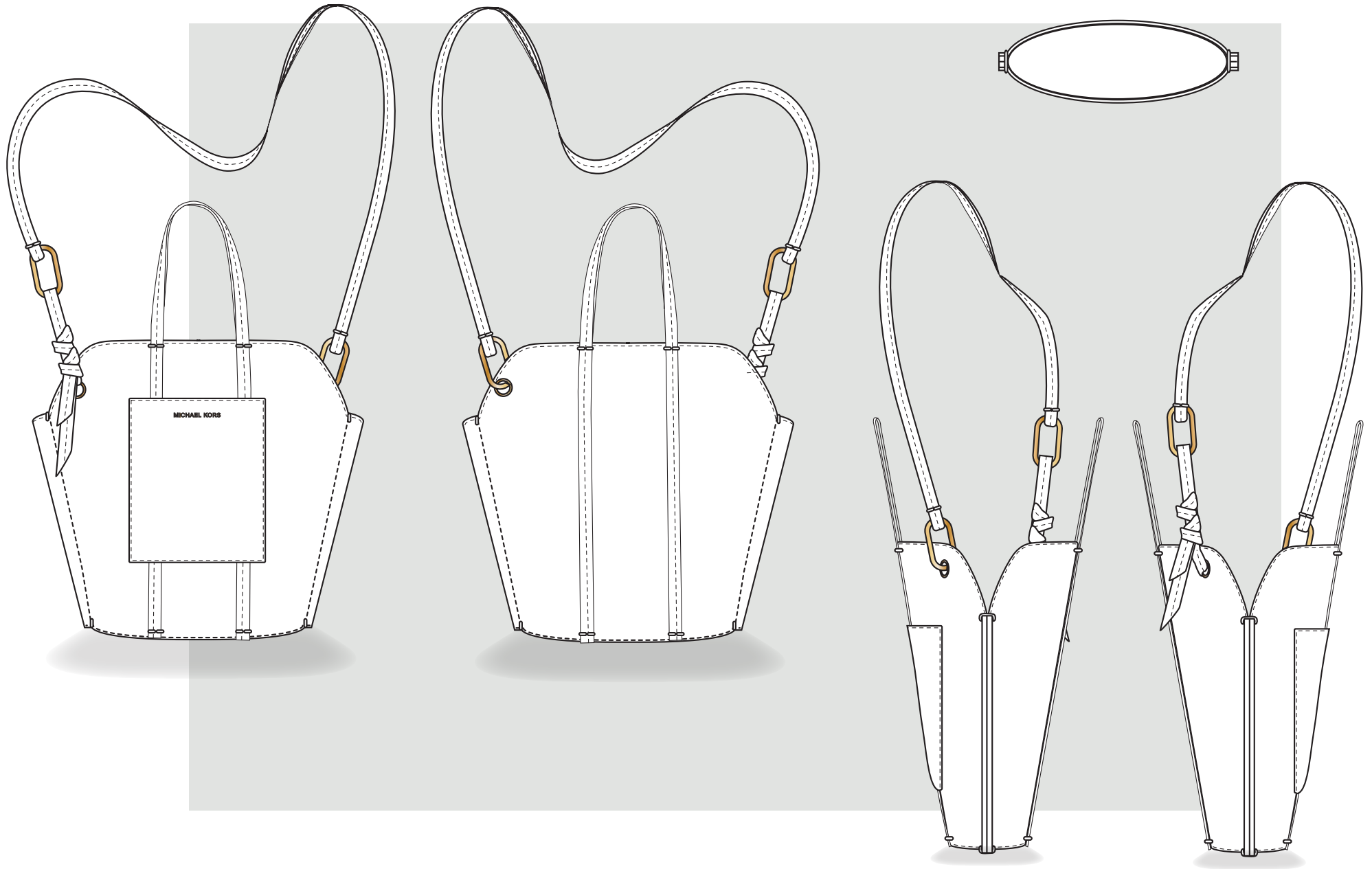
COLOR 5: HARDWARE FINISH  
METAL: SHINY PALE GOLD  
\*NOTE LOGO PLATE HAS COLOR 1  
TRIM IN VEG LEATHER UNDERNEATH  
FOR JUTE CC ONLY\*

COLOR 6: LINING:  
KID SEUDE: DTM BODY

# HONEY POT DRAWSTRING BAG



# WORK TOTE



BAG 3